

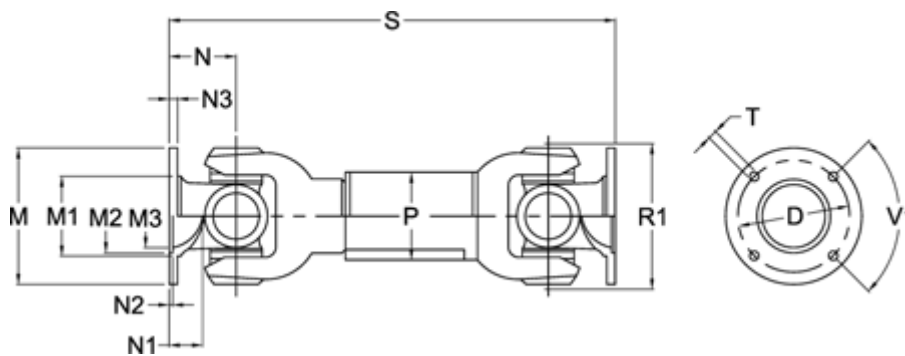
Data Sheet



Article number: 071091310250040

Description: Cardan drive shaft 0.109.131.002
S=250 X=40 Bore with keyway

Measures



D	= 84 +-0,1	N1	= 20	T	= 8 B12
Extension X	= 40	N2	= 2,5 +0,3	V1 degrees	= 60
Flange diameter M	= 100	N3	= 7		
M1	= 66	Number of Flangeholes	= 6		
M2	= 57	P	= 50x2		
M3	= 50	R1	= 86		
Max. Bending Angle degrees	= 18	S min	= 250		
N	= 42	Spline dim. DIN 5480	= 32x2x14		